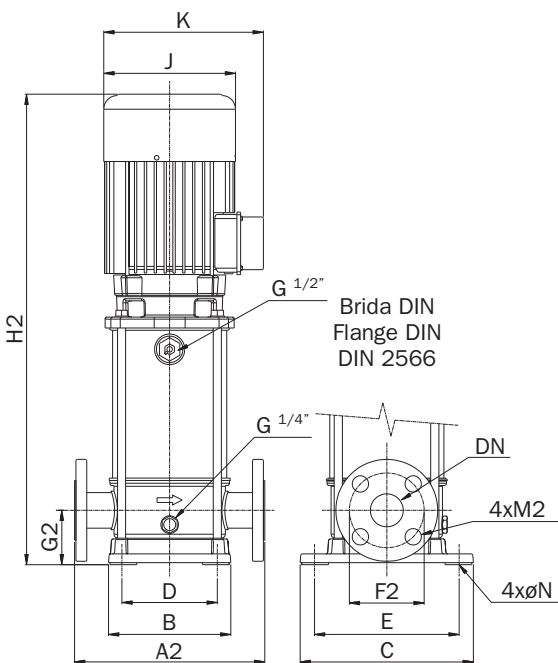


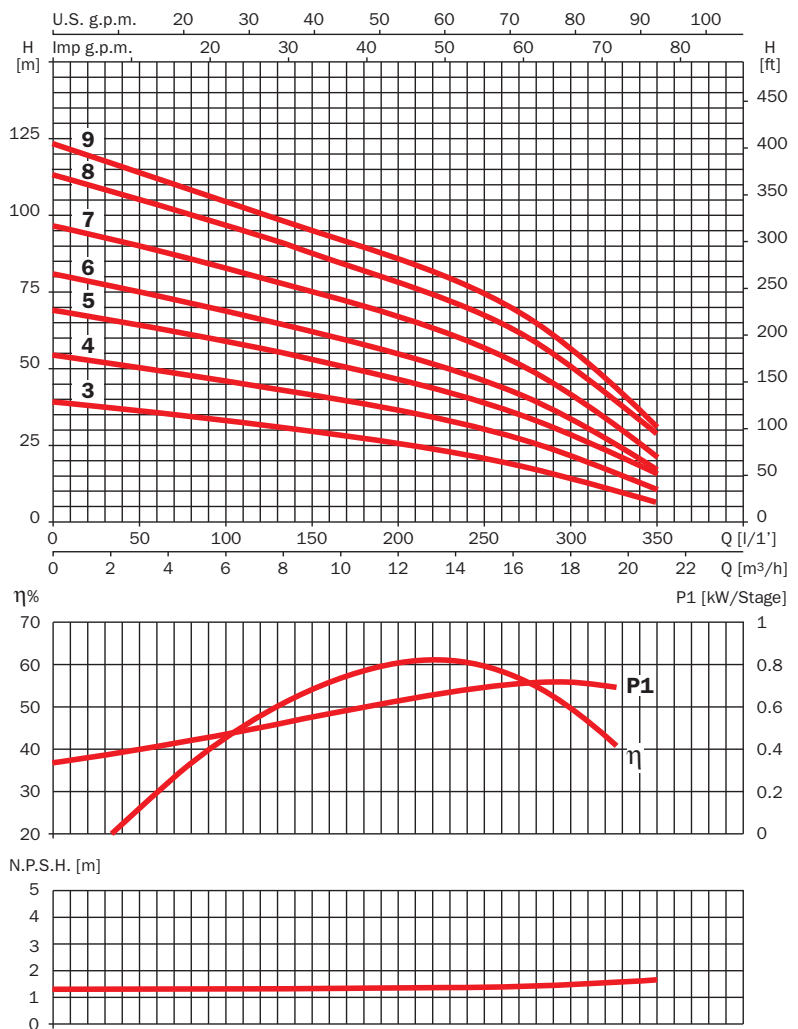
# Multinox 55

	A2	B	C	D	E	F2	G2	H2	J	K	DN	M2	ØN	(*)	Kg
<b>Multinox 55 3</b>	300	180	255	130	215	125	90	586	156	200	50	M16x60	13	IEC 80	32
<b>Multinox 55 3M</b>	300	180	255	130	215	125	90	628	176	250	50	M16x60	13	IEC 90	36
<b>Multinox 55 4</b>	300	180	255	130	215	125	90	668	176	215	50	M16x60	13	IEC 90	37
<b>Multinox 55 5</b>	300	180	255	130	215	125	90	737	194	235	50	M16x60	13	IEC 100	43
<b>Multinox 55 6</b>	300	180	255	130	215	125	90	776	194	235	50	M16x60	13	IEC 100	48
<b>Multinox 55 7</b>	300	180	255	130	215	125	90	815	194	235	50	M16x60	13	IEC 100	52
<b>Multinox 55 8</b>	300	180	255	130	215	125	90	872	194	235	50	M16x60	13	IEC 112	63
<b>Multinox 55 9</b>	300	180	255	130	215	125	90	911	218	255	50	M16x60	13	IEC 112	64

(\*) Motor / Motor



**Curvas de funcionamiento a 2900 r.p.m.**  
**Performance curves at 2900 r.p.m.**



230 V 50 Hz	230/400 V 50 Hz	A			P1 (kW)		kW	HP	µF	l/1' m³/h	20 1,2	50 3	100 6	150 9	200 12	250 15	300 18	350 21
		1~ 230 V	230 V	3~ 400 V	1~	3~												
<b>Multinox 55 3M</b>	<b>Multinox 55 3</b>	9.8	7	4.1	2.2	2.2	1.5	2	40		38	36	33	30	25	20	14	6
	<b>Multinox 55 4</b>		8	4.6		2.7	2.2	3			53	50	46	41	36	30	21	10
	<b>Multinox 55 5</b>		11.3	6.5		3.6	3	4			67	64	59	53	46	39	23	15
	<b>Multinox 55 6</b>		12.5	7.2		4.1	3	4			79	75	69	62	55	46	28	17
	<b>Multinox 55 7</b>		15.4	8.9		4.9	4	5.5			94	90	82	75	66	56	41	21
	<b>Multinox 55 8</b>		17	9.8		5.8	5.5	7.5			110	105	96	82	78	67	50	28
	<b>Multinox 55 9</b>		18.2	10.5		6.2	5.5	7.5			120	114	104	95	85	74	56	31