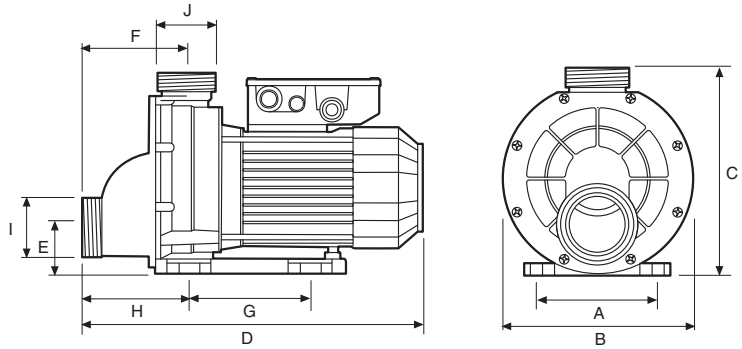


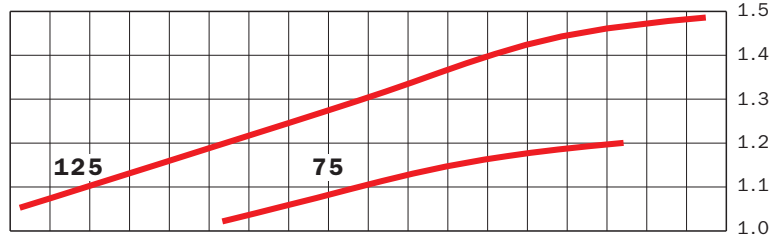
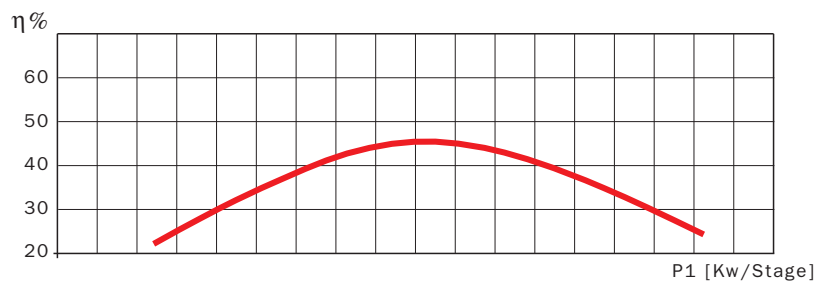
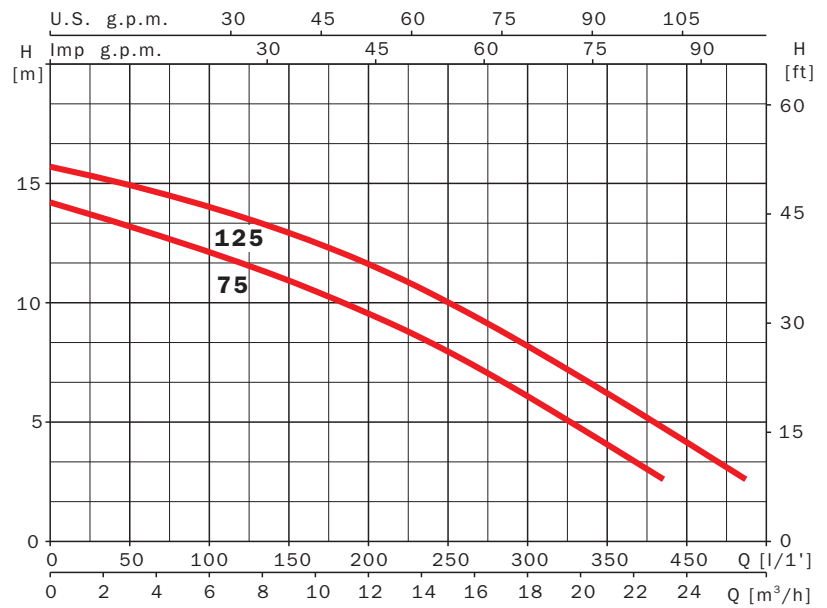


Tiper2



	A	B	C	D	E	F	G	H	I	J	Kg
Tiper2 75	124	187	215	378	50	120	120	130	2 ¹ / ₄ "	2 ¹ / ₄ "	8,3
Tiper2 125	124	187	215	378	50	120	120	130	2 ¹ / ₄ "	2 ¹ / ₄ "	9,4

Curvas de funcionamiento a 2900 r.p.m.
Performance curves at 2900 r.p.m.



230 V 50 Hz	230/400 V 50 Hz	A			P1 (kW)		kW	HP	μF	l/1' m³/h	83	133	183	233	283	333	383	433
		1~ 230 V	3~ 230 V 400 V		1~	3~												
Tiper2 75 M		5.3			1.2		0.55	0.75	16		12.3	11.1	10	8.5	6.5	5	2.5	
Tiper2 125 M		5.6			1.5		0.90	1.25	16		14.2	13.2	12	10.6	9	7	5	2.7